



inserts:		page
CD .....	80 poles + ⊕	46
CDD .....	144 poles + ⊕	59
CQE .....	64 poles + ⊕	78
CN .....	32 poles + ⊕	84
CCE .....	32 poles + ⊕	94
CNE, CSE.....	32 poles + ⊕	95
CSS .....	32 poles + ⊕	102
CMSE .....	12+4 (aux) poles + ⊕	120
CMCE .....	12+4 (aux) poles + ⊕	120
CME .....	12+4 (aux) poles + ⊕	121
CP .....	12 poles + ⊕	128
MIXO .....	4 + 4 modules	137-151

insert centre distance:  
2 x (77.5 x 27) mm

**bulkhead mounting housings with 2 levers or 4 pegs**



**bulkhead mounting housings with single lever**

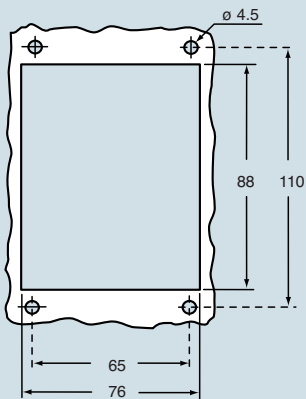


description	part No.	part No.
with one or two levers	<b>CHI 32</b>	<b>CHI 32 L</b>
with pegs and cover <sup>1)</sup>	<b>CHI 32 CS</b>	
with lever and cover		<b>CHI 32 LS</b>

<sup>1)</sup> May be combined with hoods:  
- CHO/CHV/CFO/CFV 32 X  
- MHO/MHV/MFO/MFV 32 X

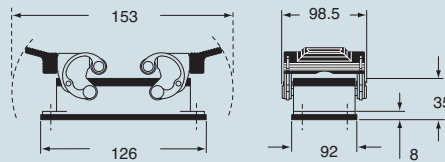
**N.B.:** the enclosures ensure IP66 protection (or IP65 cover versions) rating when mated and locked with the closing levers.  
The cover (CS, CP) only ensures mechanical protection, but does not ensure IP65 protection rating.

panel cut-out for bulkhead mounting housings in mm

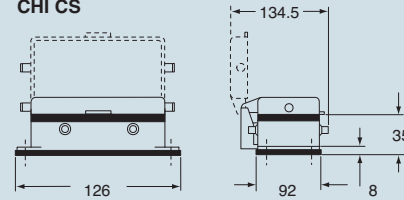


dimensions in mm

**CHI**

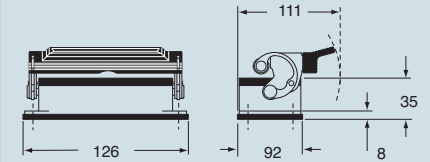


**CHI CS**

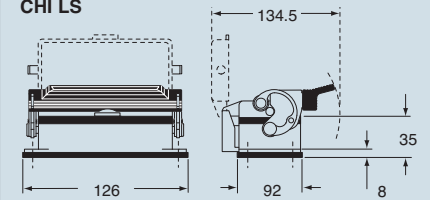


dimensions in mm

**CHI L**



**CHI LS**



**CAUS**® Type 4/4X/12

dimensions shown are not binding and may be changed without notice

size 77.62